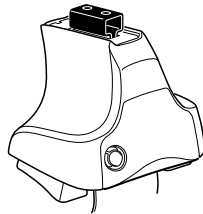


# Kit 1653

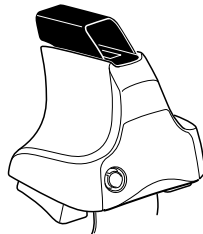
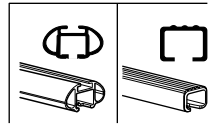
**KIA Picanto**, 5-dr Hatchback, 04-10

**KIA Picanto**, 5-dr Hatchback, 11–

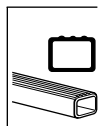
**KIA Morning**, 5-dr Hatchback, 11–

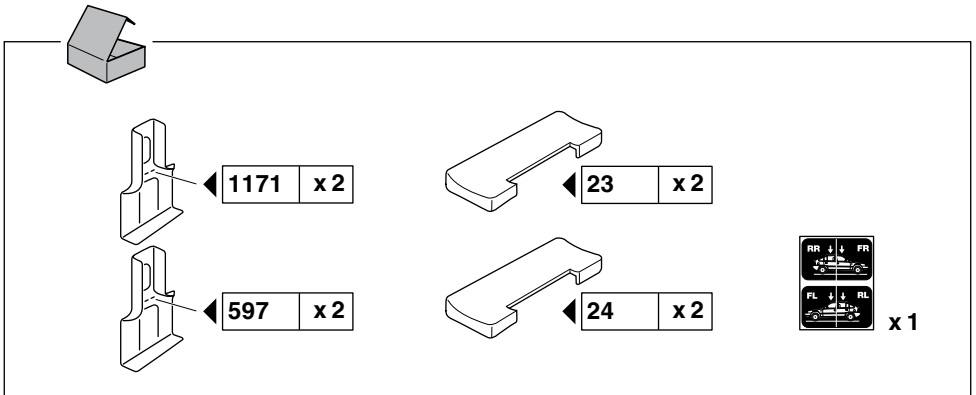
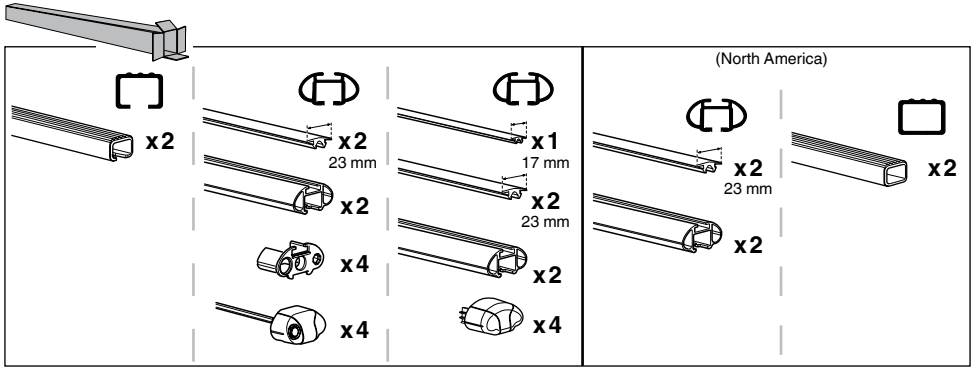
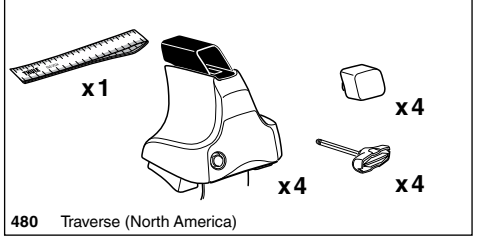
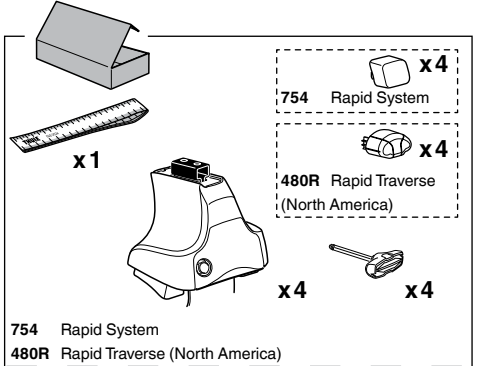
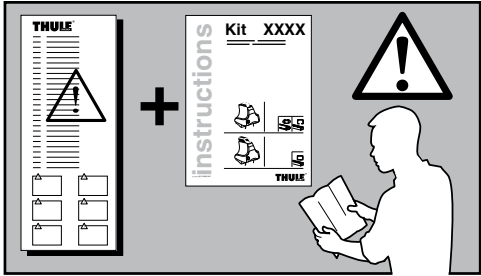
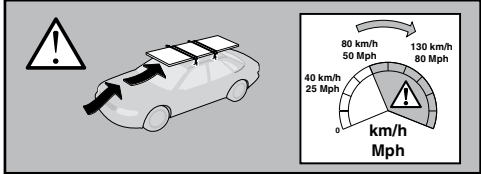
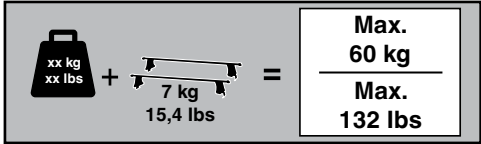


**754** Rapid System  
**480R** Rapid Traverse (North America)



**480** Traverse (North America)





1



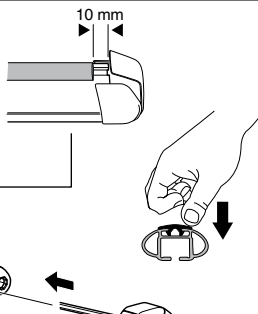
2



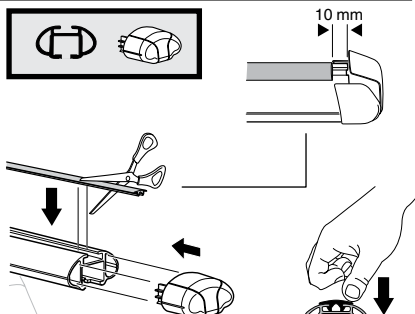
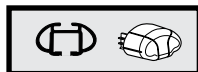
754 Rapid System  
480R Rapid Traverse  
(North America)



x4



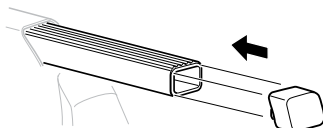
x4



x4



480 Traverse  
(North America)



x4

**3**



**754** Rapid System



	X
<b>KIA Picanto, 5-dr Hatchback, 04-10</b>	<b>28</b>
<b>KIA Picanto, 5-dr Hatchback, 11-</b>	<b>29</b>
<b>KIA Morning, 5-dr Hatchback, 11-</b>	<b>29</b>



	Y
<b>KIA Picanto, 5-dr Hatchback, 04-10</b>	<b>28</b>
<b>KIA Picanto, 5-dr Hatchback, 11-</b>	<b>24,5</b>
<b>KIA Morning, 5-dr Hatchback, 11-</b>	<b>24,5</b>

**3**

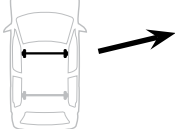


**480R** Rapid Traverse

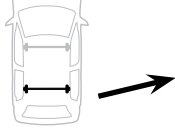


**480** Traverse

**(North America)**



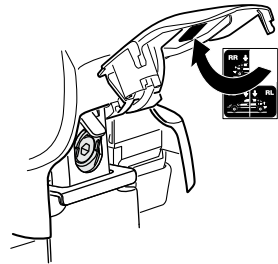
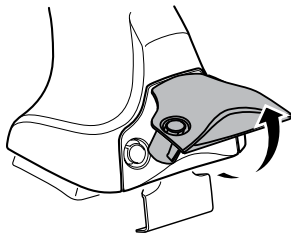
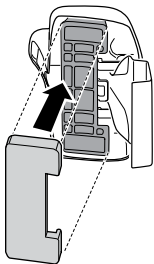
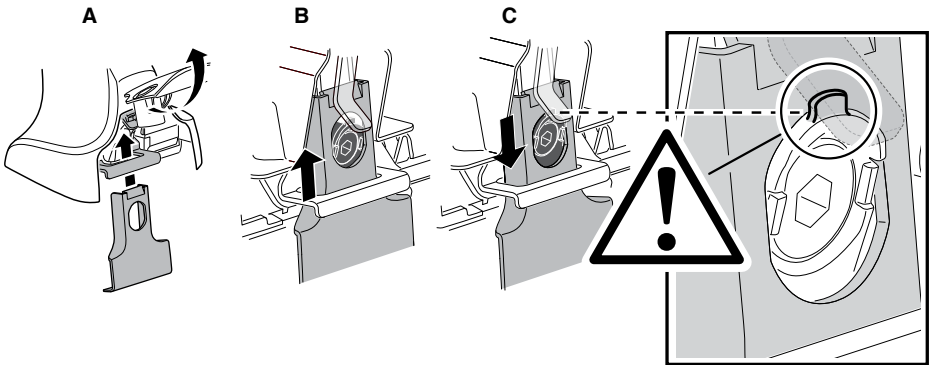
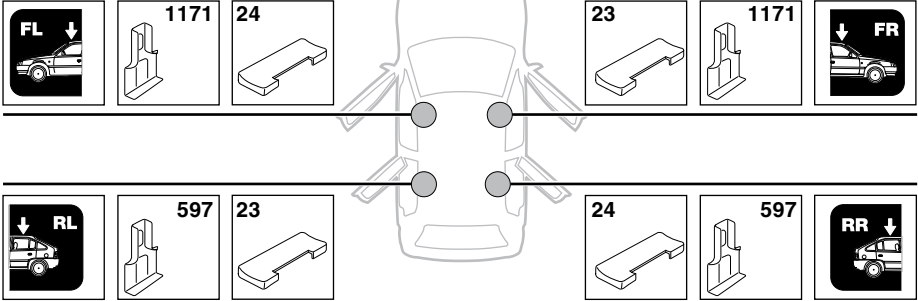
	X inch	X mm
<b>KIA Picanto, 5-dr Hatchback, 04-10</b>	<b>36 <sup>5</sup>/<sub>8</sub> "</b>	<b>931 mm</b>
<b>KIA Picanto, 5-dr Hatchback, 11-</b>	<b>37 "</b>	<b>941 mm</b>
<b>KIA Morning, 5-dr Hatchback, 11-</b>	<b>37 "</b>	<b>941 mm</b>



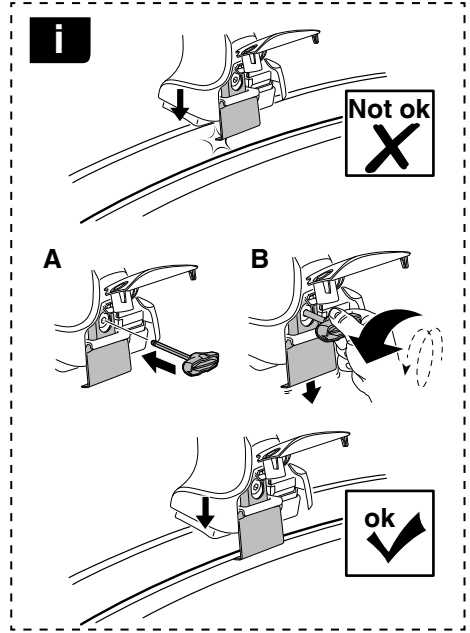
	Y inch	Y mm
<b>KIA Picanto, 5-dr Hatchback, 04-10</b>	<b>36 <sup>5</sup>/<sub>8</sub> "</b>	<b>931 mm</b>
<b>KIA Picanto, 5-dr Hatchback, 11-</b>	<b>35 <sup>1</sup>/<sub>4</sub> "</b>	<b>896 mm</b>
<b>KIA Morning, 5-dr Hatchback, 11-</b>	<b>35 <sup>1</sup>/<sub>4</sub> "</b>	<b>896 mm</b>

**4**

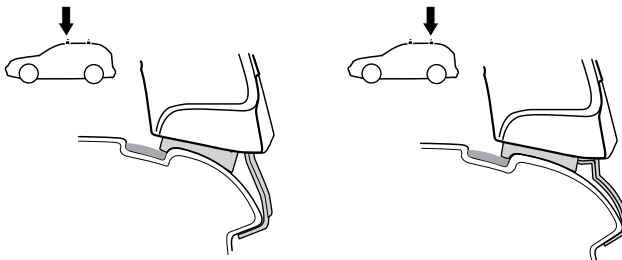
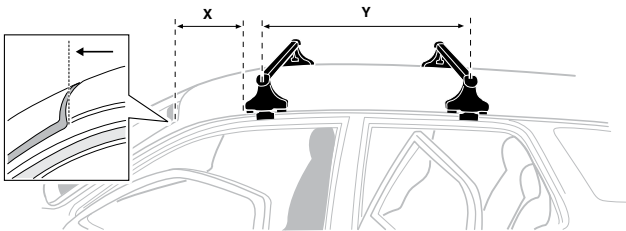


**5****KIA Picanto, 5-dr Hatchback, 04-10****KIA Picanto, 5-dr Hatchback, 11-****KIA Morning, 5-dr Hatchback, 11-**

6



	X mm	Y mm	X inch	Y inch
<b>KIA Picanto, 5-dr Hatchback, 04-10</b>	<b>280 mm</b>	<b>700 mm</b>	<b>11"</b>	<b>27 1/2"</b>
<b>KIA Picanto, 5-dr Hatchback, 11-</b>	<b>250 mm</b>	<b>650 mm</b>	<b>9 7/8"</b>	<b>25 5/8"</b>
<b>KIA Morning, 5-dr Hatchback, 11-</b>	<b>250 mm</b>	<b>650 mm</b>	<b>9 7/8"</b>	<b>25 5/8"</b>



7



<b>GB/US</b>	Tighten alternately
<b>D</b>	Die Schrauben abwechselnd anziehen
<b>F</b>	Serrer alternativement chaque côté
<b>NL</b>	Afwisselend aan de linker- en de rechterkant aandraaien
<b>I</b>	Alternare il serraggio delle viti
<b>E</b>	Apertar alternativamente
<b>PT</b>	Aperte alternadamente
<b>S</b>	Dra åt växelvis
<b>FIN</b>	Kierrä vuorotellen
<b>EST</b>	Pinguldage vaheldumisi
<b>LAT</b>	Pielveiciet pamišus
<b>LIT</b>	Užsukinėkite pakaitomis
<b>PL</b>	Śruby dokręcaj naprzemiennie
<b>RU</b>	Загряивайте попеременно

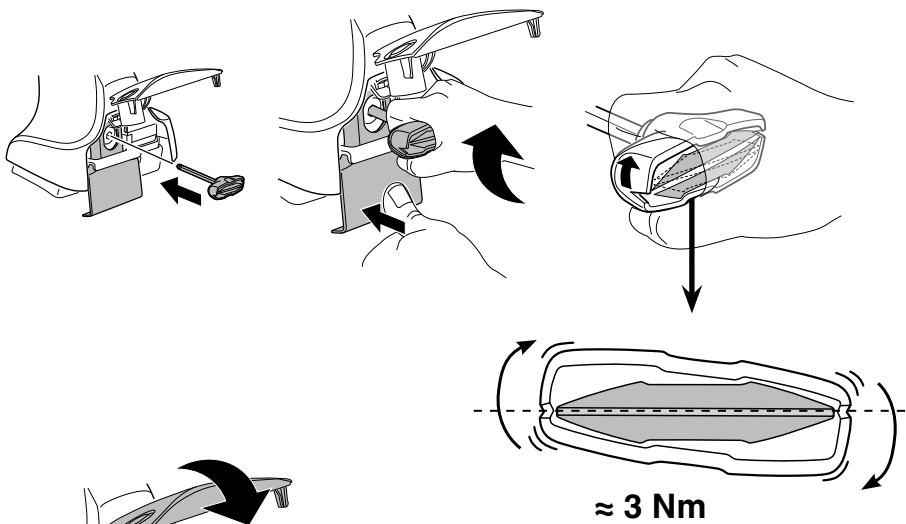
<b>CZ</b>	Pokręřta багаžnika dokręcaj naprzemiennie.
<b>SK</b>	Dofahajte striedavo
<b>SLO</b>	Privijajte izmenično.
<b>HR</b>	Naizmjenično zategnite
<b>HU</b>	Egymástól függetlenül szorítandó
<b>GR</b>	Σφιγίγτες εναλλάξ
<b>TR</b>	Dönüşümlü sıkın

**中文** 交替拧紧

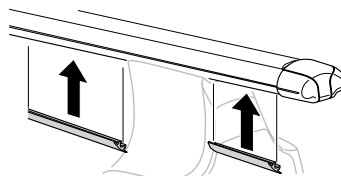
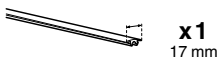
**한국어** 번갈아 가며 조이십시오.

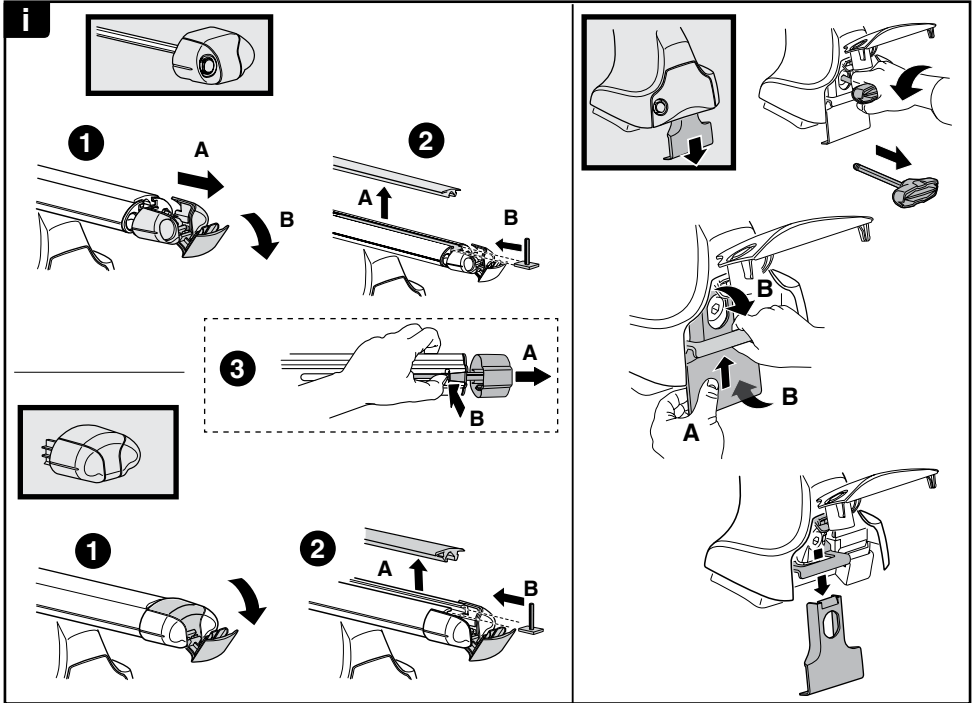
**日本語** 交互に締め付けてください。

**ไทย** ชันในแบบสลับ

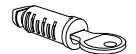
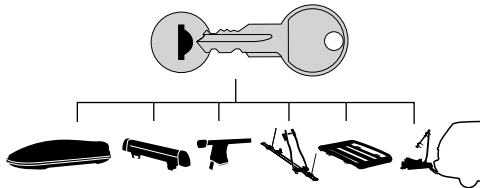


8





**THULE**  
SWEDEN  
**ONE  
KEY  
SYSTEM**



- 544** (x4)
- 596** (x6)
- 588** (x8)
- NA **510** (x10)
- EUR **452** (x12)
- ASIA

